

Machine Tool

Coolant Pump Motor

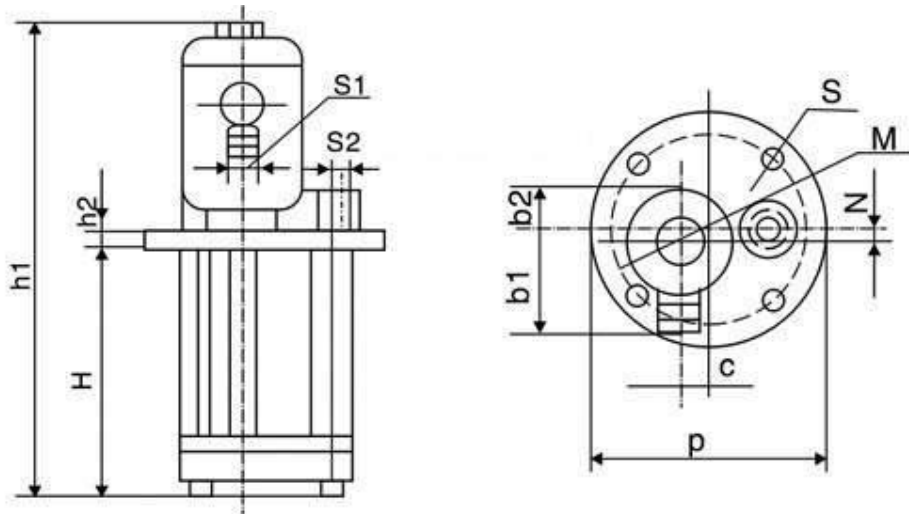
1. Picture



2. Parameter

Type	Rated flow	Rated lift	Power (W)	N.W (Kg/pc)
	(L/min)	(M)		
THREE PHASE (575V, 60HZ & 230/460V, 60HZ)				
YSB(AB)-12	12	3	40	2.3
YSB(AB)-25A	25	4	90	3.7
YSB(AYB)-25C	25	4	125	4.4
YSB(AYB)-50	50	4	250	5.6
YSB(AYB)-100	100	5	370	8.3
YSB(AYB)-200	200	7	900	--
SINGLE PHASE (115/230V, 60HZ)				
YDB-12	12	3	40	2.3
YDB-25	25	4	90	3.7

3. Mounting Drawing



THREE PHASE												
Type	H	h1	h2	P	M	N	S	b.1	.b2	C	S1	S2
YSB(AB)-12	150	280	4	120	105	3	6	70	33	11	M20*1.5	G3/8"
YSB(AB)-25	170	310	5	150	130	3	7	76	40	16	M20*1.5	G1/2"
YSB(AYB)-50	170	320	5	150	130	3	7	76	40	16	M20*1.5	G3/4"
YSB(AYB)-100	250	432	6	200	180	11	7	103	51	16	M20*1.5	G1"
SINGLE PHASE												
YDB-12	150	280	4	50	105	3	6	70	33	11	M20*1.5	G3/8"
YDB-25	170	320	5	50	130	3	7	76	40	16	M20*1.5	G1/2"