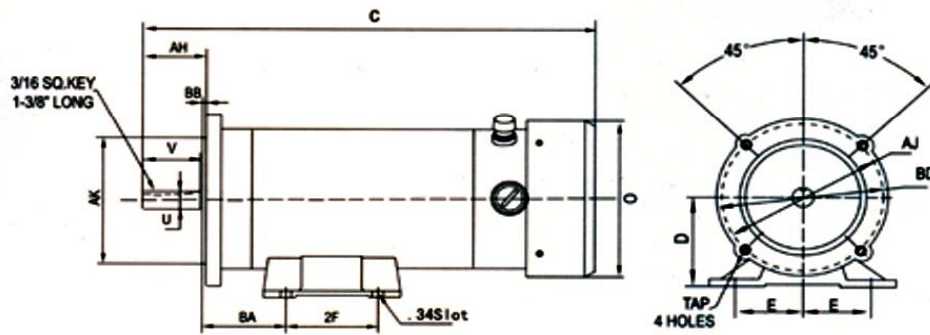




CATALOGUE	HP	RPM	ARMATURE VOLT	FRAME	ENCL.	CURRENT AMP	TORQUE IN-LBS	WEIGHT LBS
DCPM-56C-0.25-12	1/4	1750	12	56C	TEFC	21.0	9	21
DCPM-56C-0.25-24	1/4	1750	24	56C	TEFC	10.5	9	21
DCPM-56C-0.33-12	1/3	1750	12	56C	TEFC	27.0	12	23
DCPM-56C-0.33-24	1/3	1750	24	56C	TEFC	13.5	12	23
DCPM-56C-0.50-12	1/2	1750	12	56C	TEFC	39.0	18	25
DCPM-56C-0.50-24	1/2	1750	24	56C	TEFC	20.0	18	25
DCPM-56C-0.75-12	3/4	1750	12	56C	TEFC	63.5	27	30
DCPM-56C-0.75-24	3/4	1750	24	56C	TEFC	31.8	27	30
DCPM-56C-1.0-12	1	1750	12	56C	TEFC	80.0	36	32
DCPM-56C-1.0-24	1	1750	24	56C	TEFC	40.0	36	32



CATALOGUE	D	E	2F	H	O	U	V	AB	AH	AJ	AK	BA	BB	BD	TAP	C
DCPM-56C-0.25-12	3.5	2.44	3	0.34 SLOT	5.63	0.625	1.88	4.13	2.06	5.875	4.5	2.75	0.12	6.5	3/8-16	11.6
DCPM-56C-0.25-24	3.5	2.44	3	0.34 SLOT	5.63	0.625	1.88	4.13	2.06	5.875	4.5	2.75	0.12	6.5	3/8-16	11.6
DCPM-56C-0.33-12	3.5	2.44	3	0.34 SLOT	5.63	0.625	1.88	4.13	2.06	5.875	4.5	2.75	0.12	6.5	3/8-16	11.6
DCPM-56C-0.33-24	3.5	2.44	3	0.34 SLOT	5.63	0.625	1.88	4.13	2.06	5.875	4.5	2.75	0.12	6.5	3/8-16	11.6
DCPM-56C-0.50-12	3.5	2.44	3	0.34 SLOT	5.63	0.625	1.88	4.13	2.06	5.875	4.5	2.75	0.12	6.5	3/8-16	12.4
DCPM-56C-0.50-24	3.5	2.44	3	0.34 SLOT	5.63	0.625	1.88	4.13	2.06	5.875	4.5	2.75	0.12	6.5	3/8-16	12.4
DCPM-56C-0.75-12	3.5	2.44	3	0.34 SLOT	5.63	0.625	1.88	4.13	2.06	5.875	4.5	2.75	0.12	6.5	3/8-16	14.0
DCPM-56C-0.75-24	3.5	2.44	3	0.34 SLOT	5.63	0.625	1.88	4.13	2.06	5.875	4.5	2.75	0.12	6.5	3/8-16	14.0
DCPM-56C-1.0-12	3.5	2.44	3	0.34 SLOT	5.63	0.625	1.88	4.13	2.06	5.875	4.5	2.75	0.12	6.5	3/8-16	14.8
DCPM-56C-1.0-24	3.5	2.44	3	0.34 SLOT	5.63	0.625	1.88	4.13	2.06	5.875	4.5	2.75	0.12	6.5	3/8-16	14.8